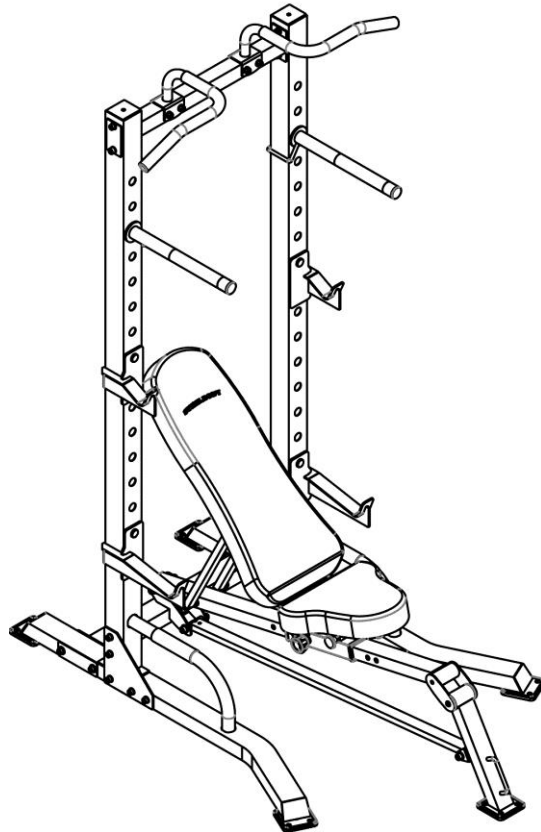


# STEELBODY

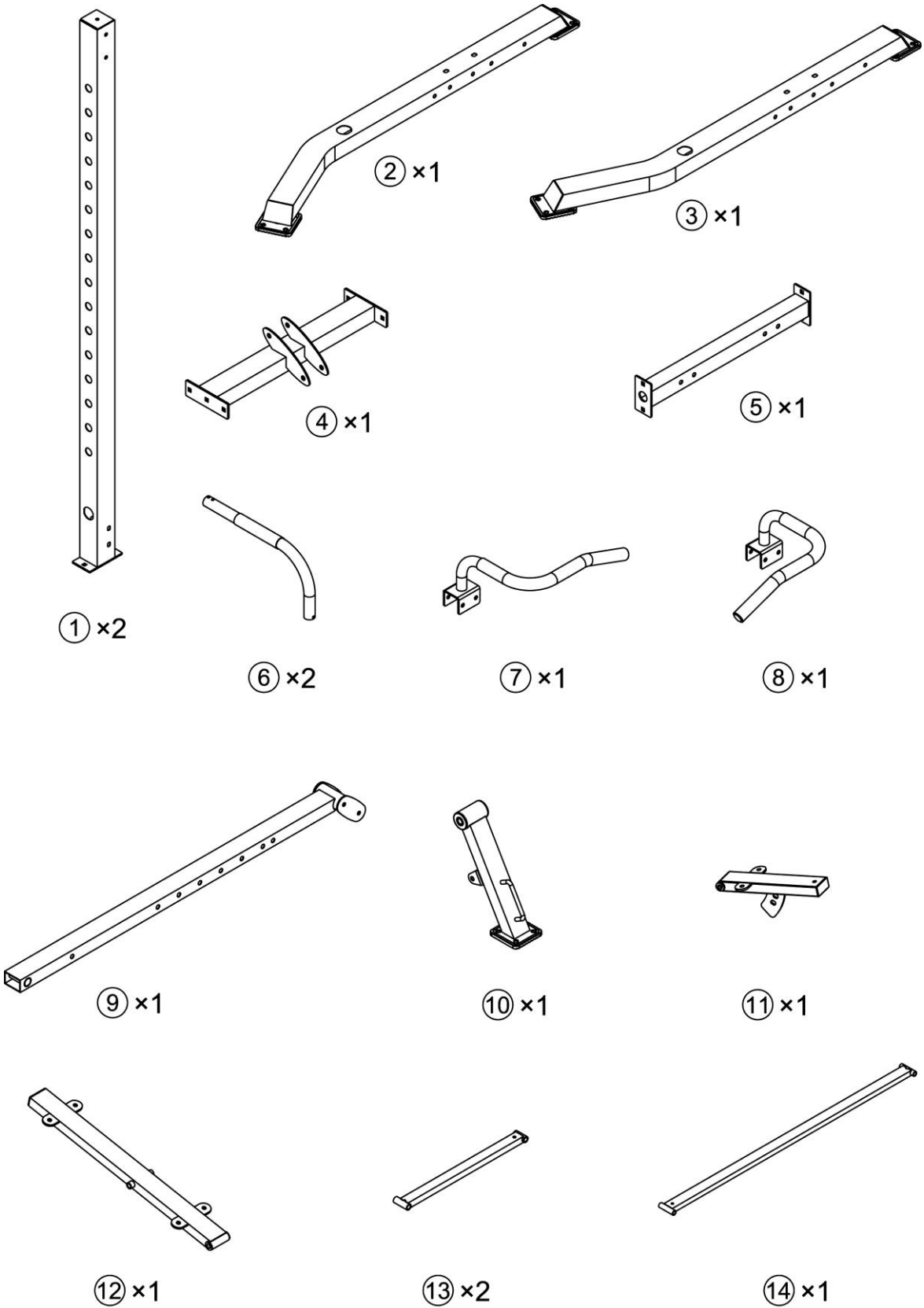
## POWER STATION With Fold up Bench STB-98502

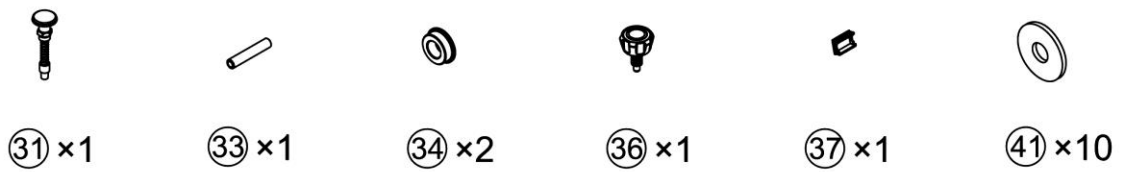
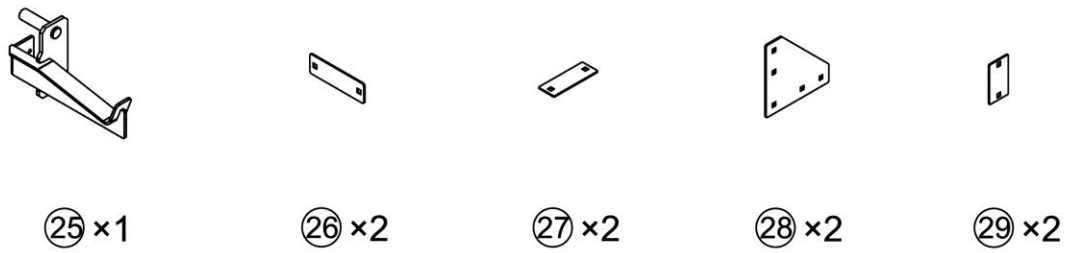
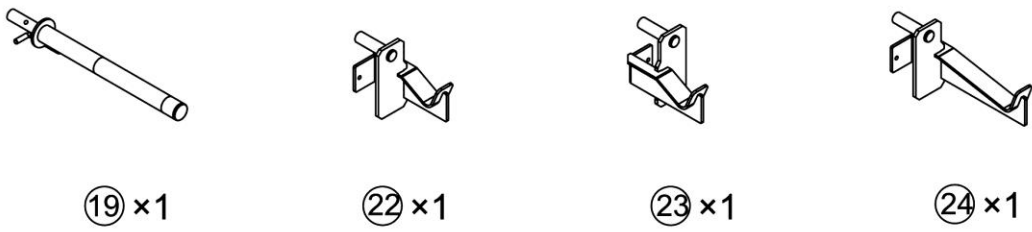
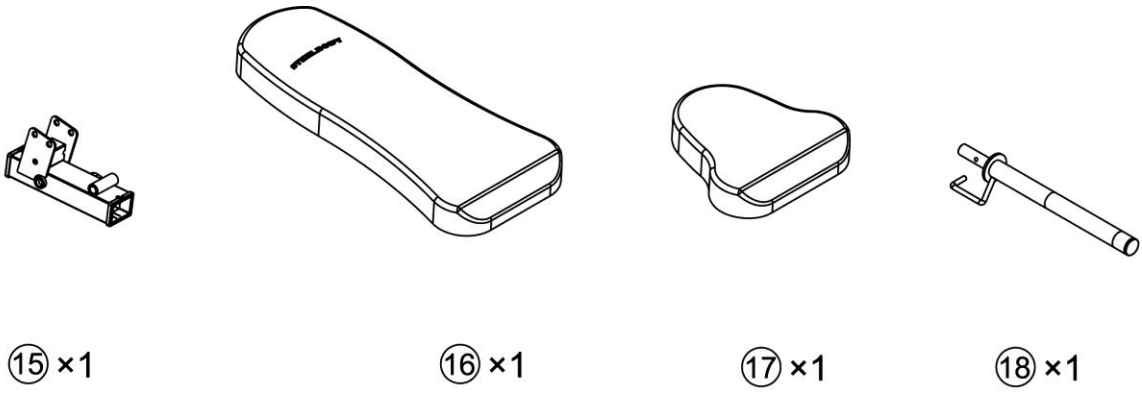


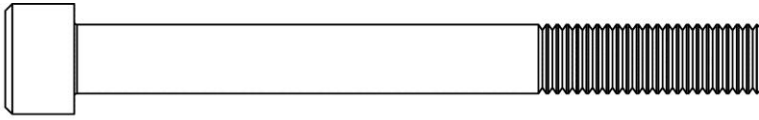
**IMPORTANT:** Please read the Important Safety Notice and Assembly Information in the Owner's manual before assembling this product.

**Assembly Manual**

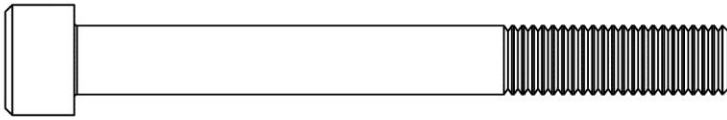
150615



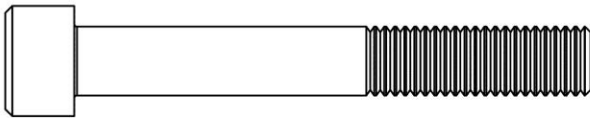




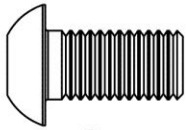
④② × 8



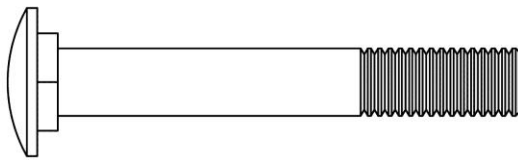
④③ × 10



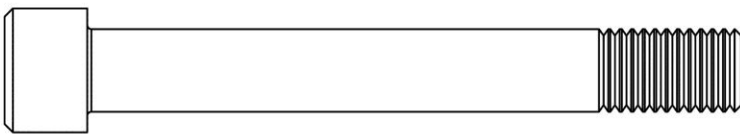
④④ × 4



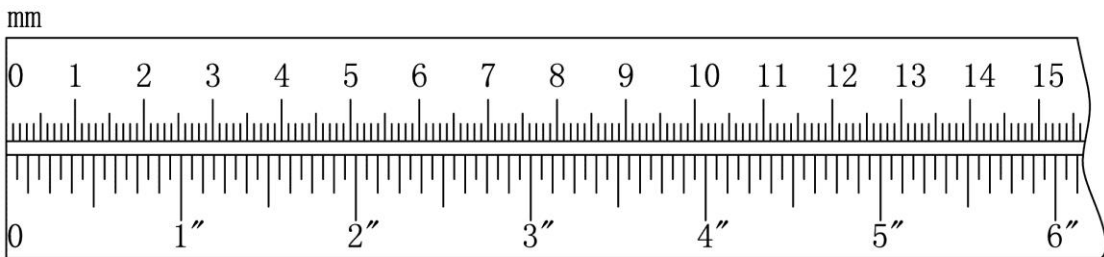
④⑤ × 6

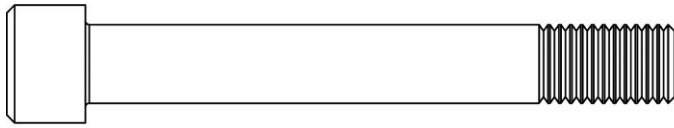


④⑥ × 4

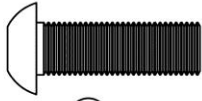


④⑦ × 2

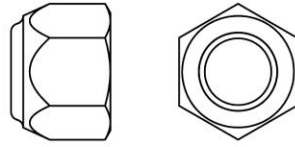




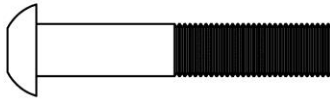
④⑧ × 3



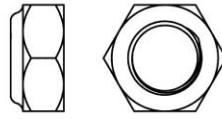
⑤⑩ × 6



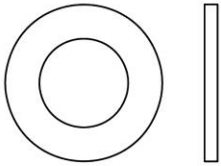
⑤② × 7



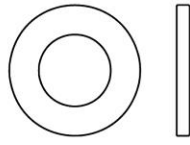
⑤① × 1



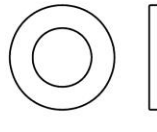
⑤③ × 26



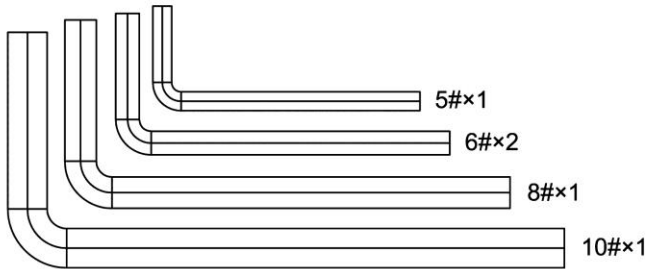
⑤④ × 16



⑤⑤ × 44



⑤⑥ × 7

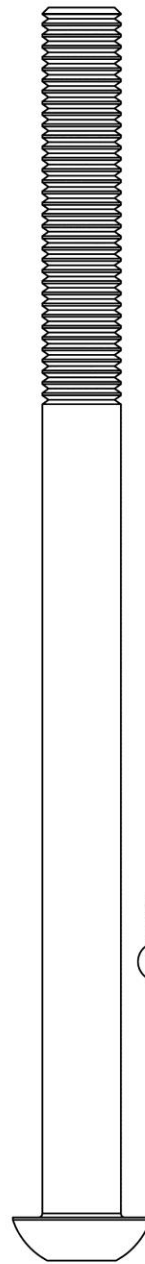


5# × 1

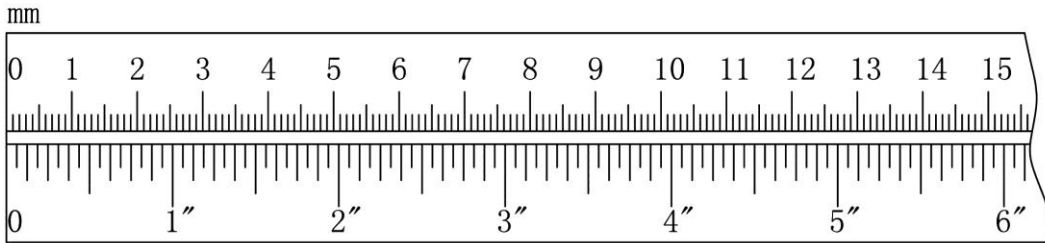
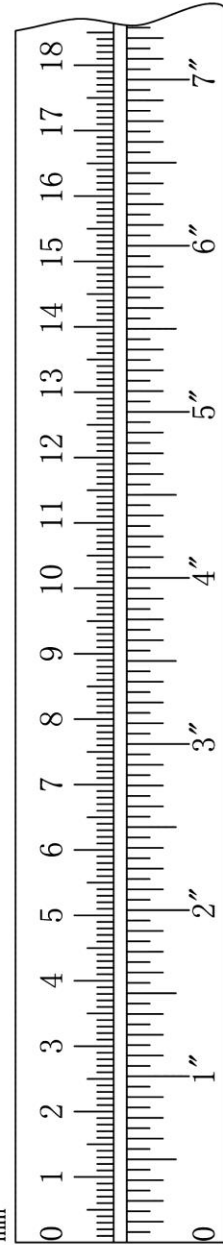
6# × 2

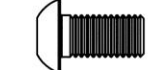
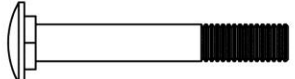


8# × 1

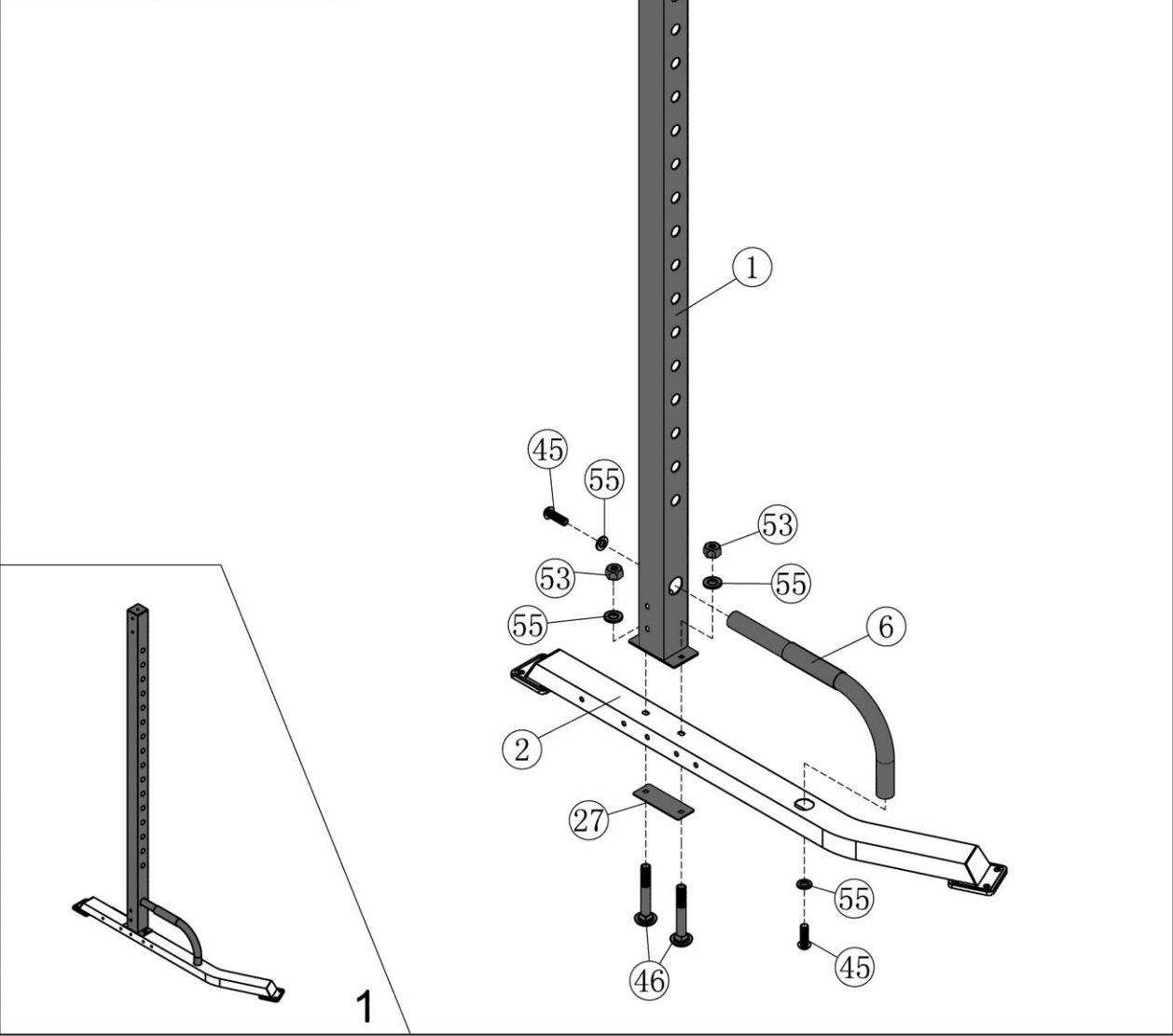
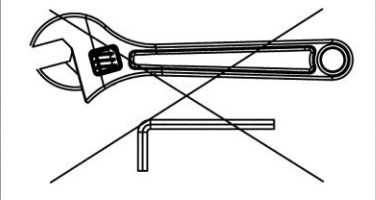
10# × 1

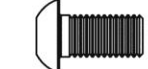
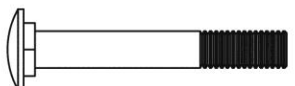




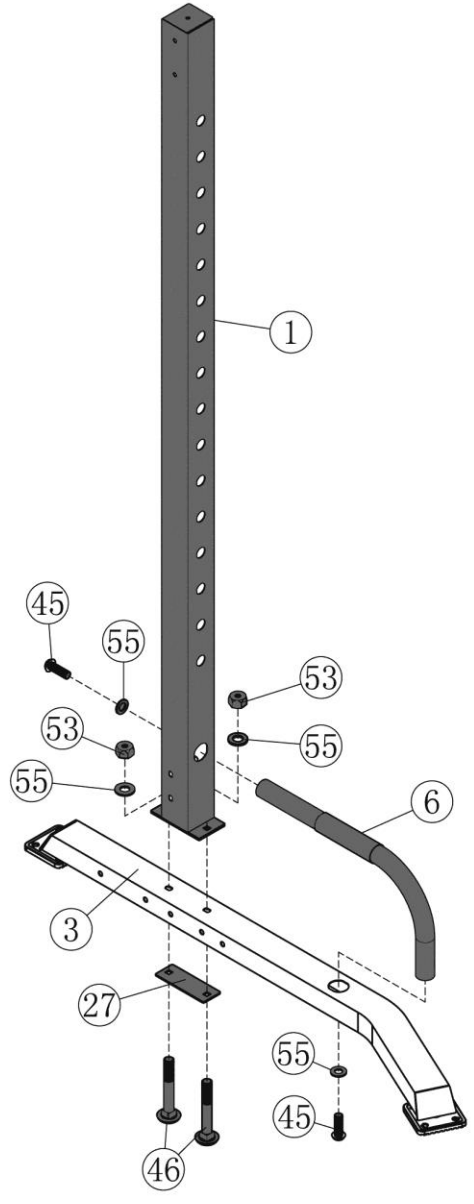
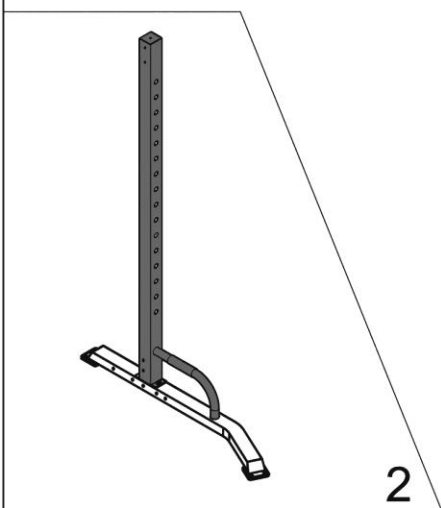
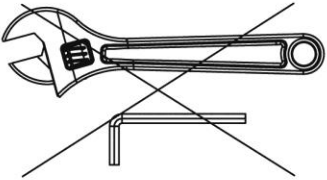
④⑨ × 2

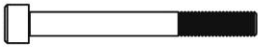




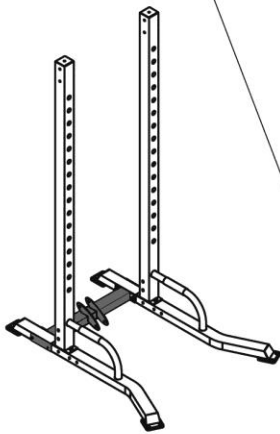
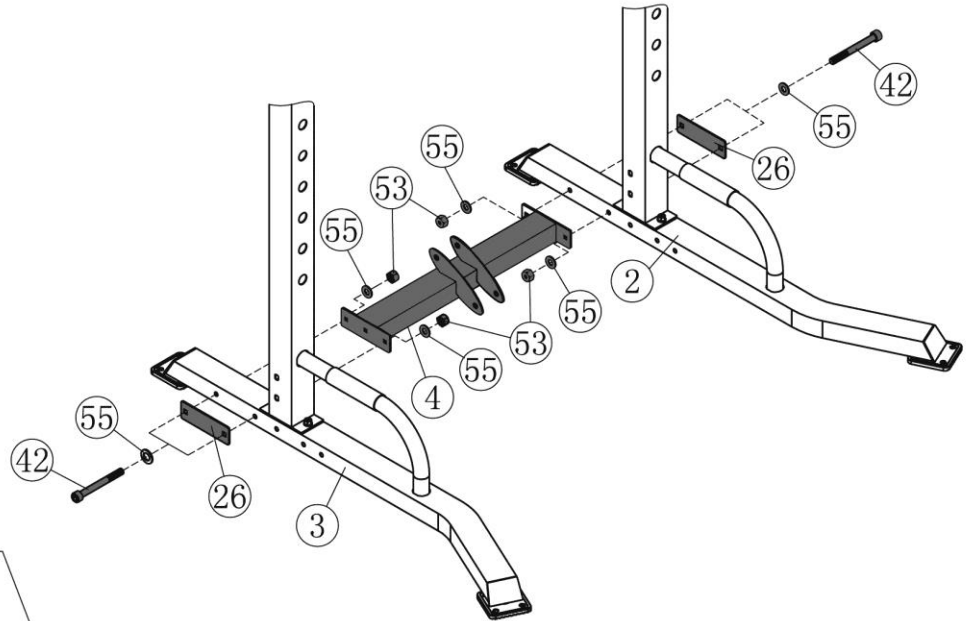
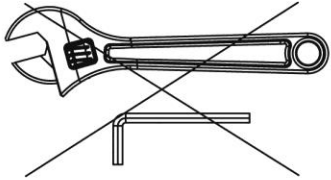
45		× 2	M10× $\frac{3}{4}$ "
46		× 2	M10×2 $\frac{3}{4}$ "
53		× 2	M10
55		× 4	$\Phi\frac{3}{4}$ "



45		× 2	M10× $\frac{3}{4}$ "
46		× 2	M10×2 $\frac{3}{4}$ "
53		× 2	M10
55		× 4	$\Phi\frac{3}{4}$ "

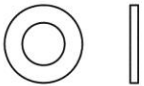
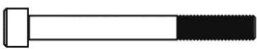




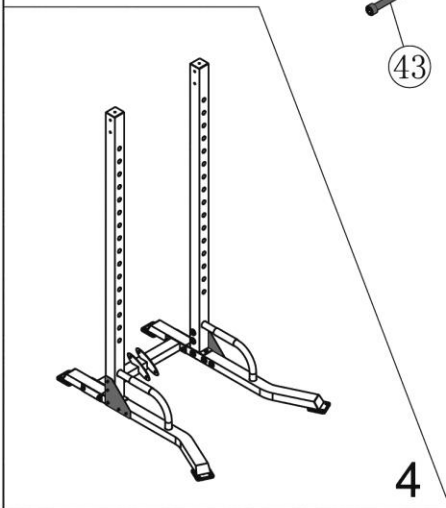
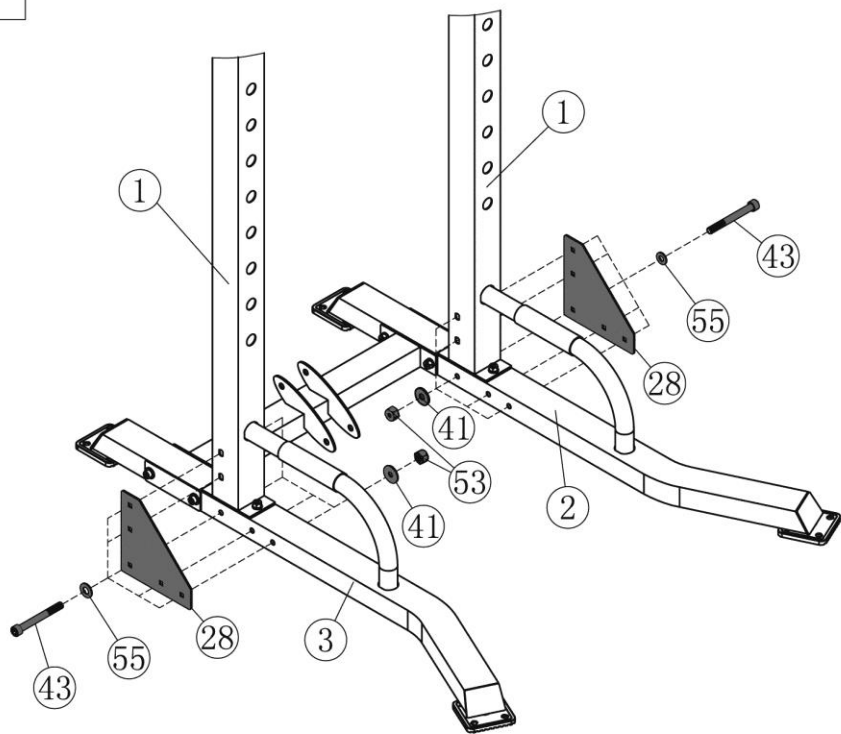
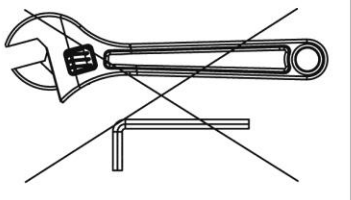
(42)		× 4	M10×4"
(53)		× 4	M10
(55)		× 8	Φ $\frac{3}{4}$ "

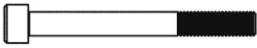




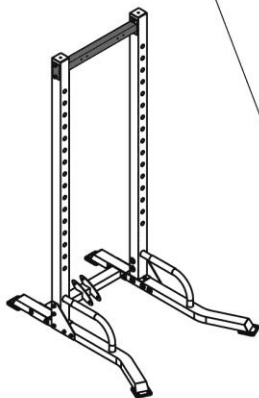
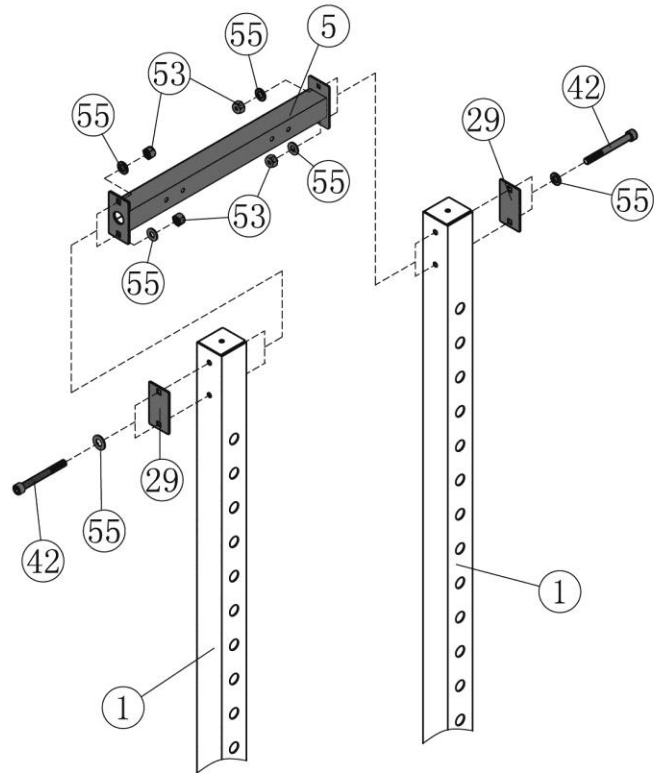
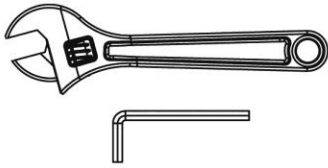
3



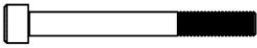


41		× 10	$\Phi 1\frac{1}{2}$ "
43		× 10	M10×3 $\frac{3}{4}$ "
53		× 10	M10
55		× 10	$\Phi \frac{3}{4}$ "

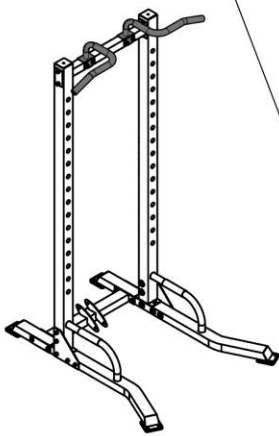
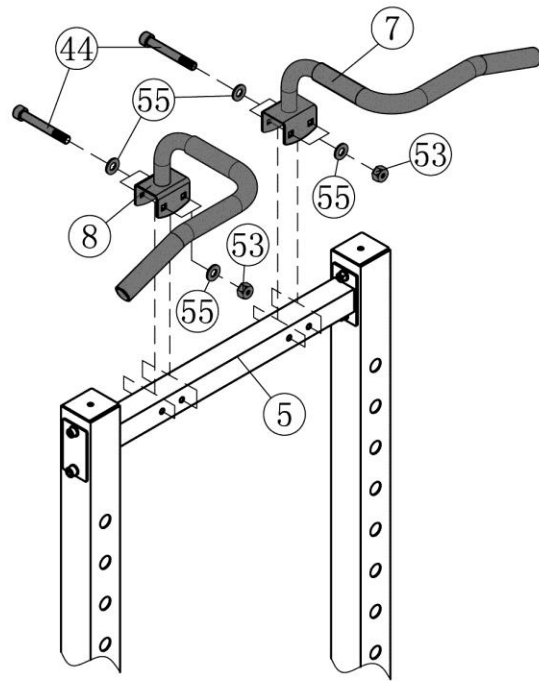
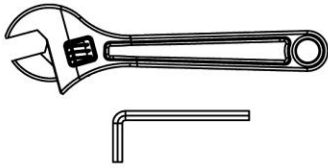


④2		× 4	M10×4"
⑤3		× 4	M10
⑤5		× 8	Φ $\frac{3}{4}$ "



5

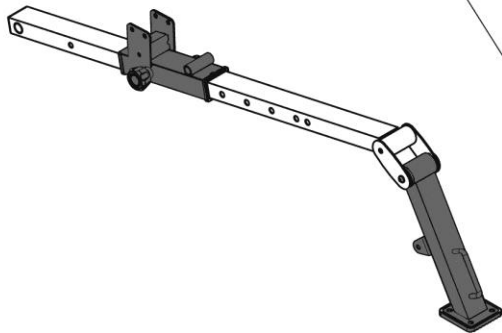
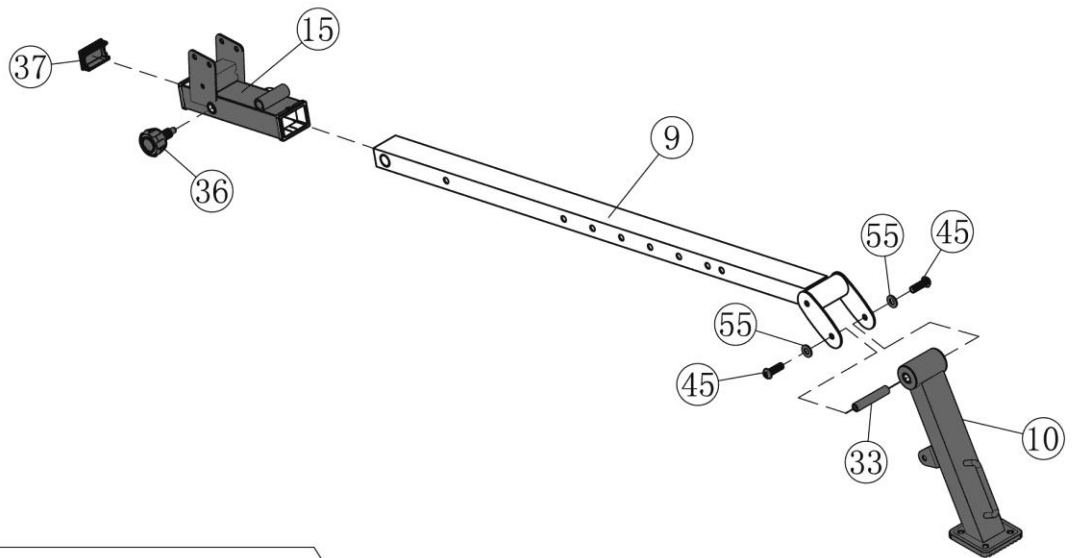
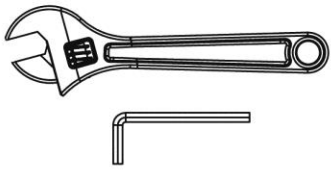
- |      |   |     |                   |
|------|---|-----|-------------------|
| (44) |  | × 4 | M10×3"            |
| (53) |  | × 4 | M10               |
| (55) |  | × 8 | Φ $\frac{3}{4}$ " |



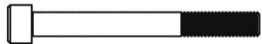


6

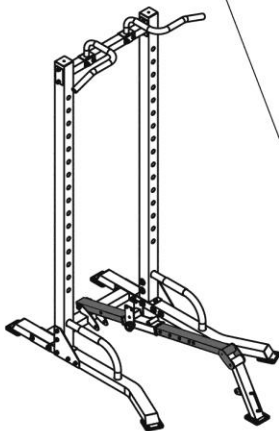
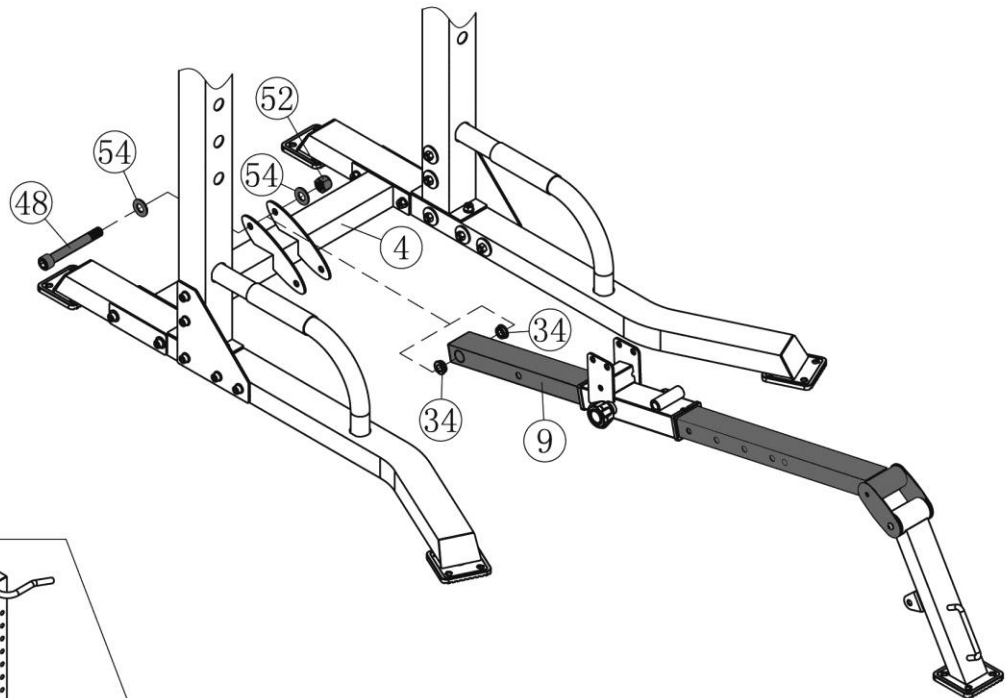
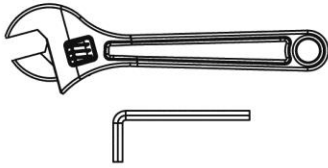
④5            × 2      M10× $\frac{3}{4}$ "

⑤5            × 2       $\Phi\frac{3}{4}$ "

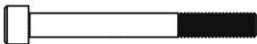




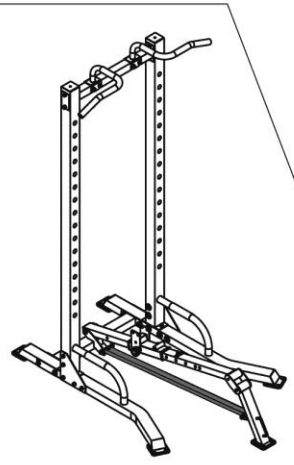
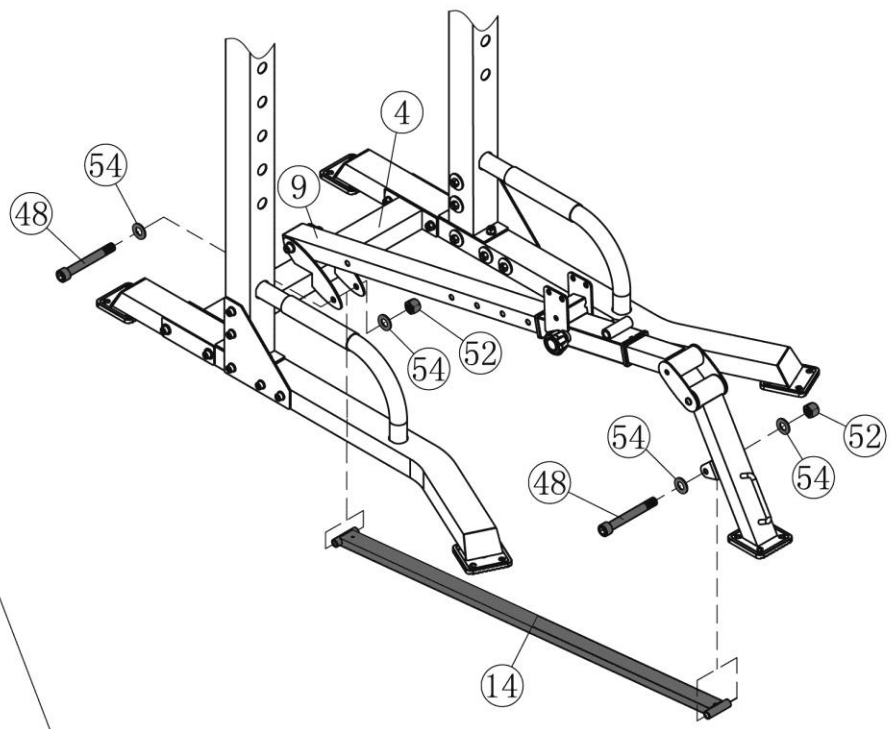
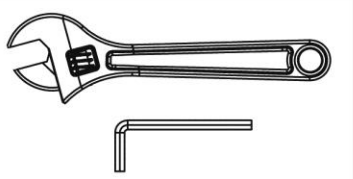
7

48		x 1	M12x3 $\frac{1}{2}$ "
52		x 1	M12
54		x 2	Φ1"

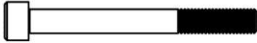




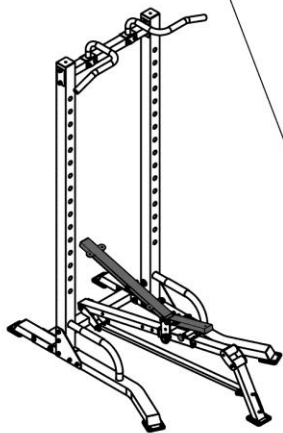
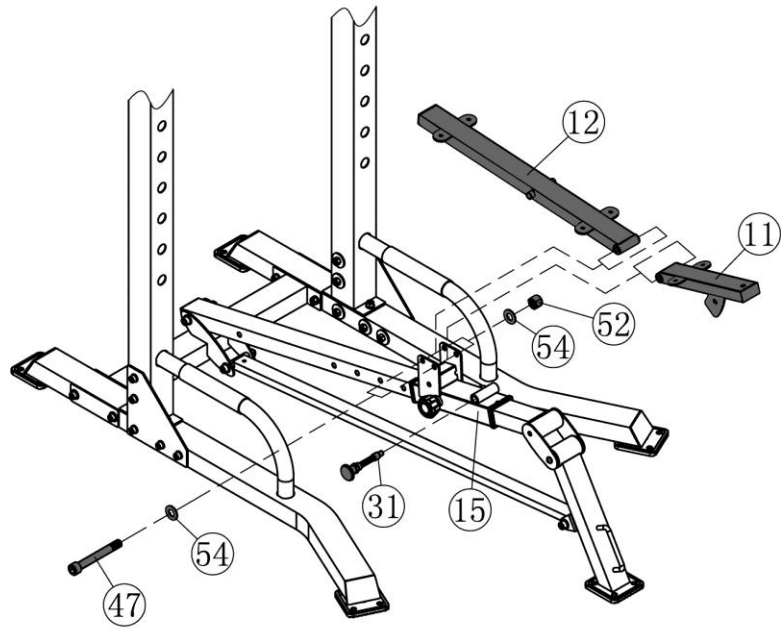
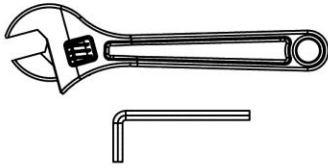
8

④8		× 2	M12×3 <sup>1</sup> / <sub>2</sub> "
⑤2		× 2	M12
⑤4		× 4	Φ1"



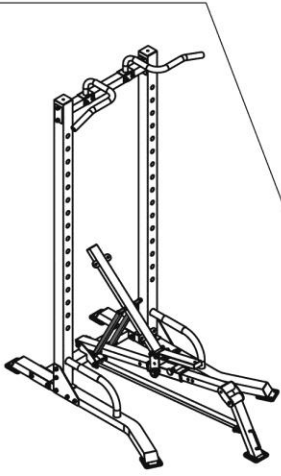
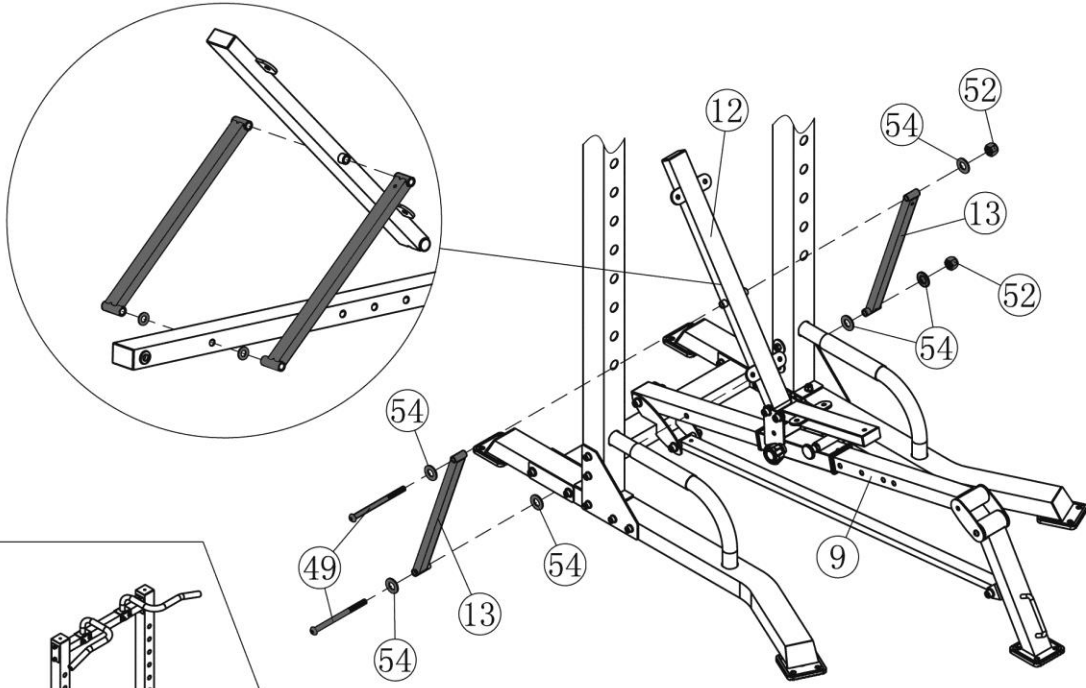
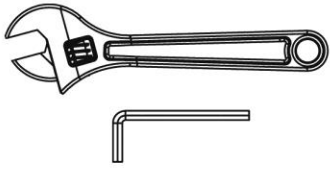
9

④7		× 2	M12×3 <sup>3</sup> / <sub>4</sub> "
⑤2		× 2	M12
⑤4		× 4	Φ1"




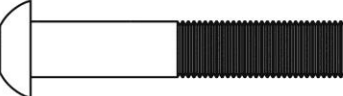
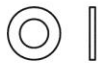
10

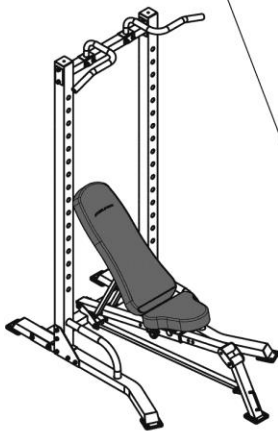
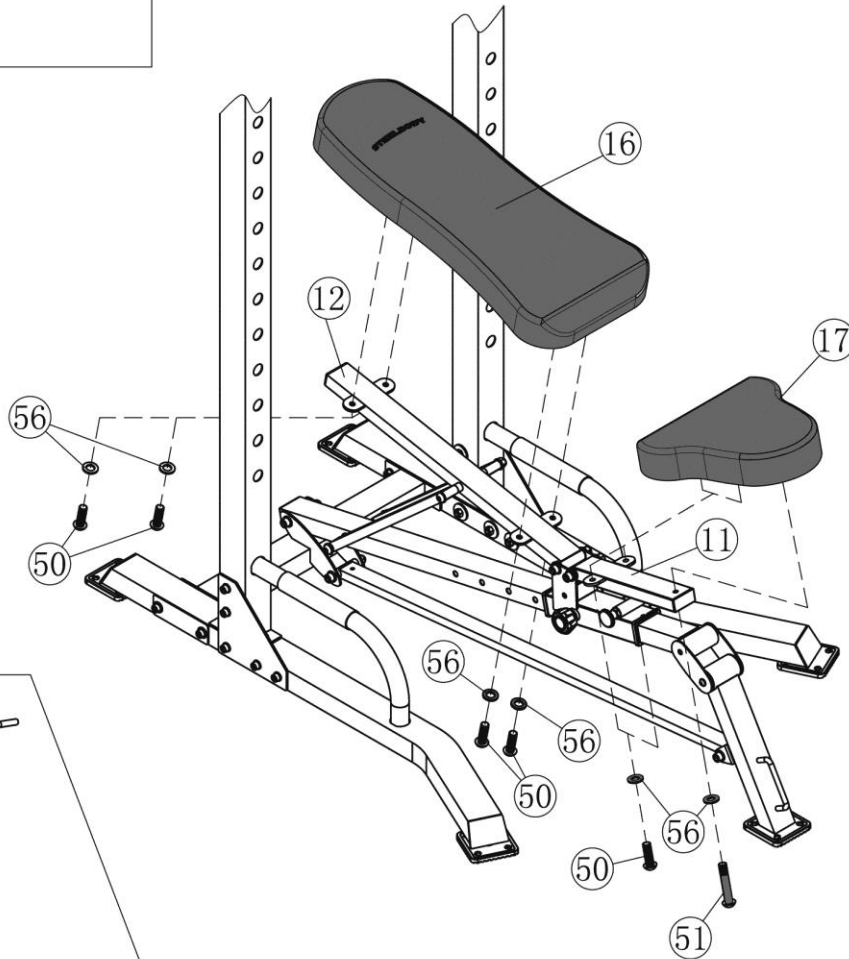
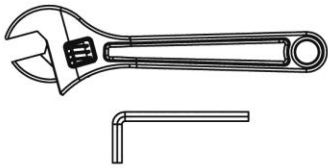
- |    |   |     |                                     |
|----|---|-----|-------------------------------------|
| ④9 |  | × 2 | M12×7 <sup>1</sup> / <sub>4</sub> " |
| ⑤2 |  | × 2 | M12                                 |
| ⑤4 |  | × 6 | Φ1"                                 |



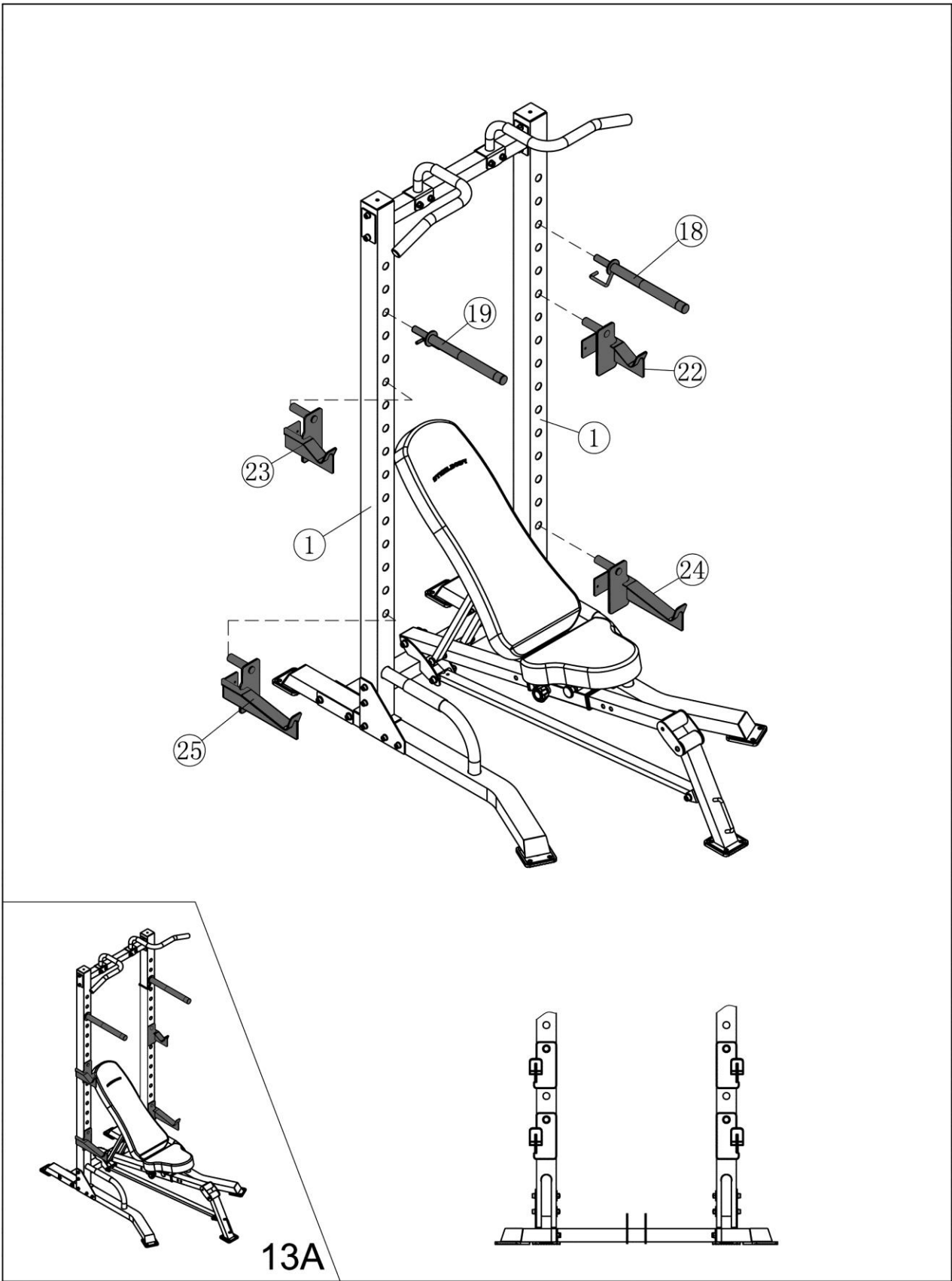
11

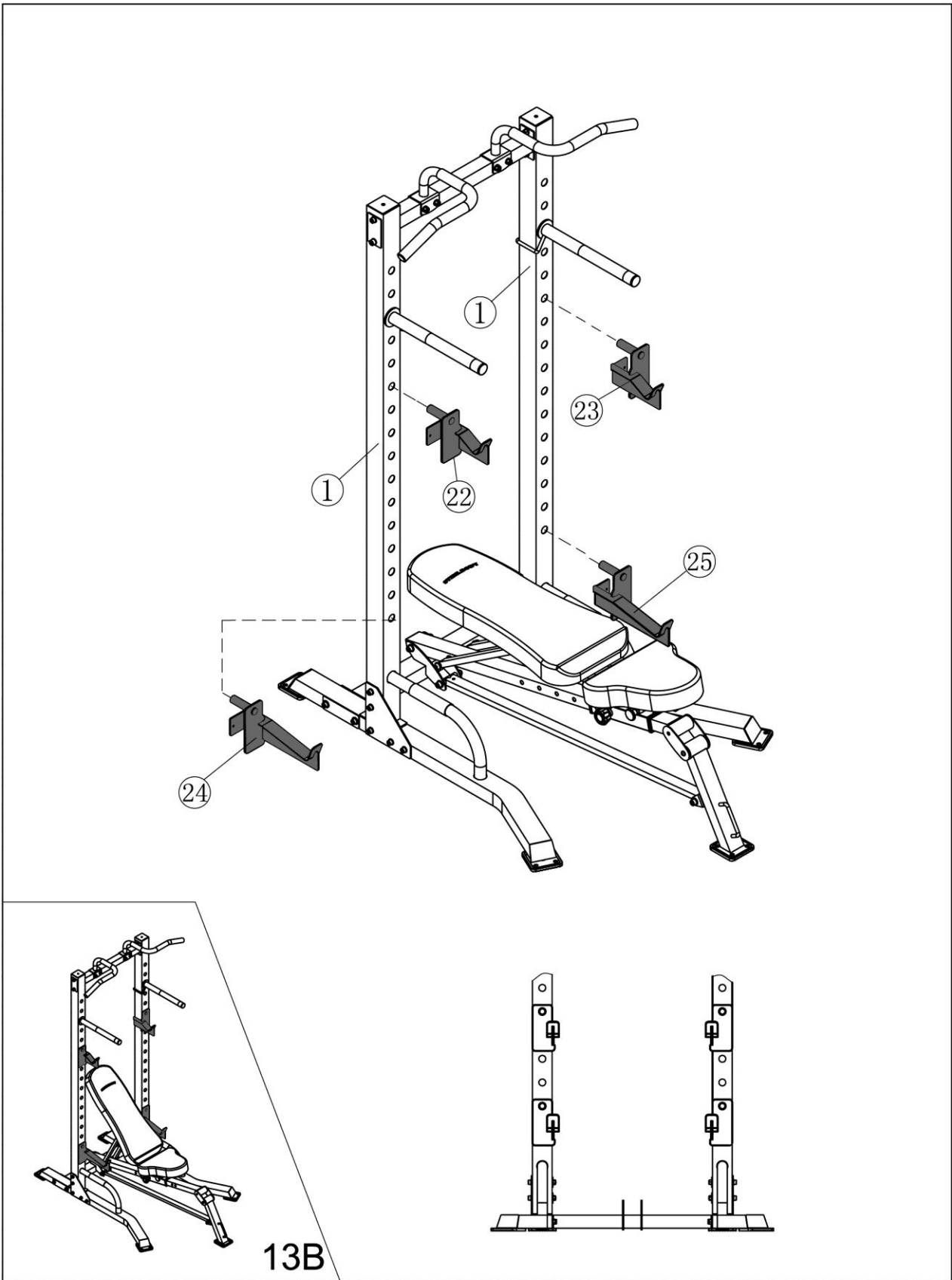


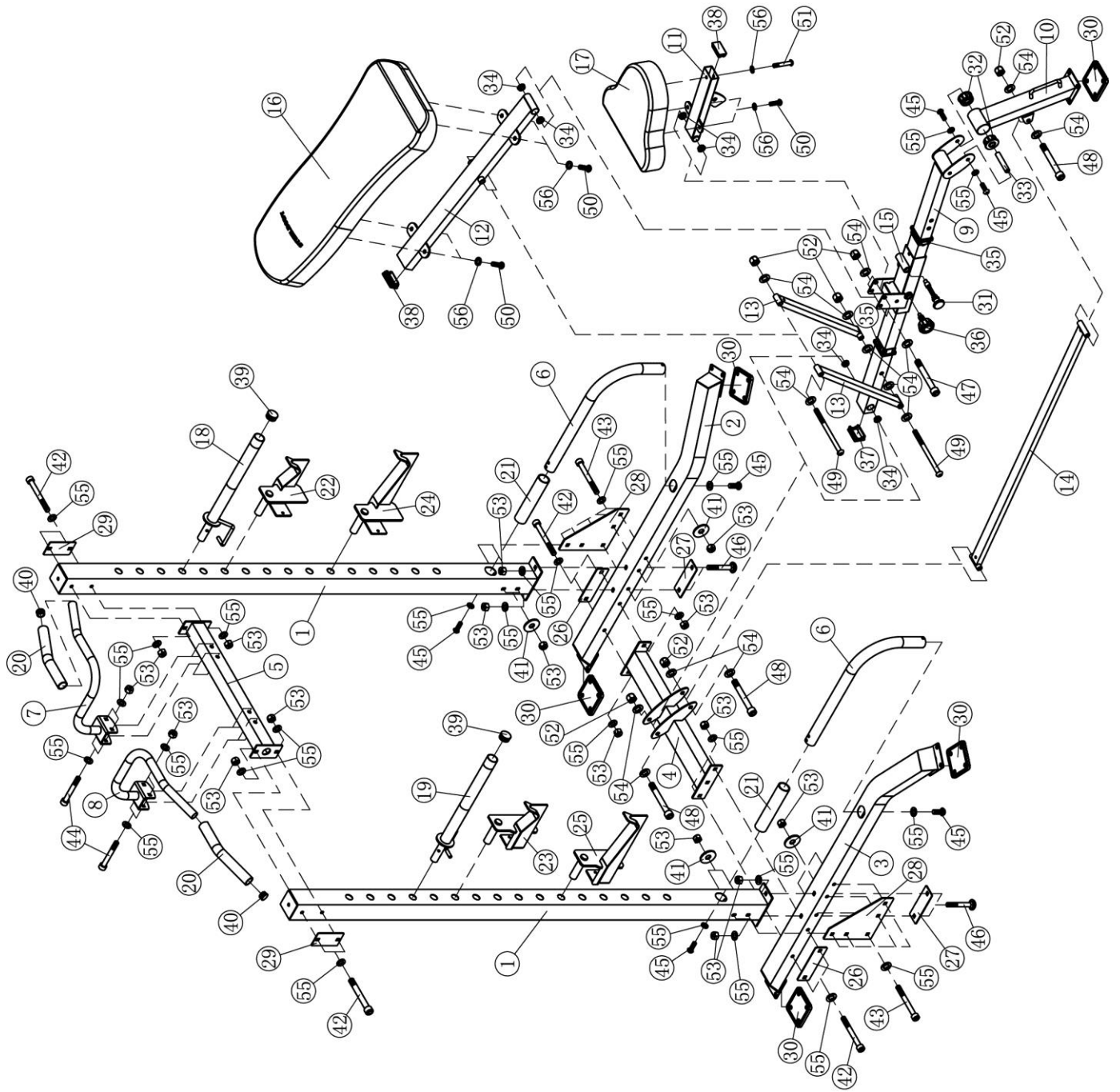
(50)		× 6	M8×1"
(51)		× 1	M8×1 <sup>3</sup> / <sub>4</sub> "
(56)		× 7	Φ <sup>5</sup> / <sub>8</sub> "



12







**IMPEX® INC.**

2801 S. Towne Ave, Pomona, CA 91766

Tel: (800) 999-8899 Fax: (626) 961-9966

**[www.impex-fitness.com](http://www.impex-fitness.com)**

**[support@impex-fitness.com](mailto:support@impex-fitness.com)**